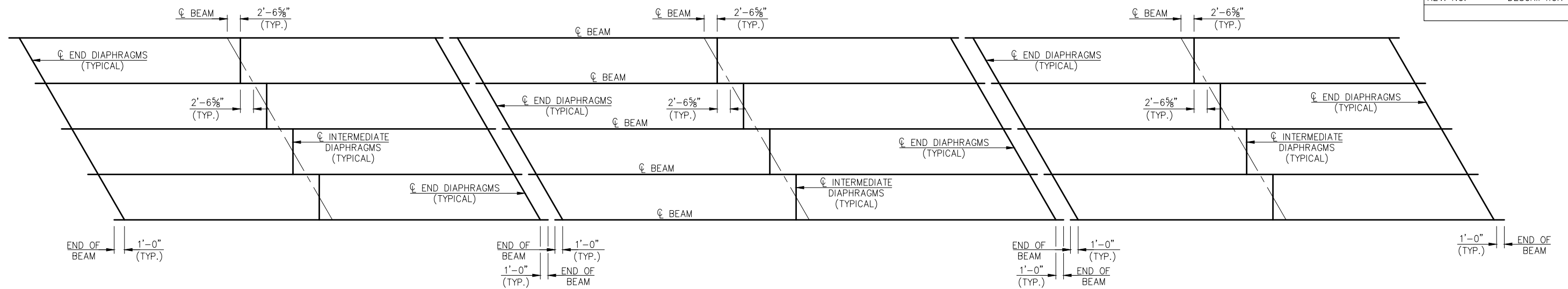
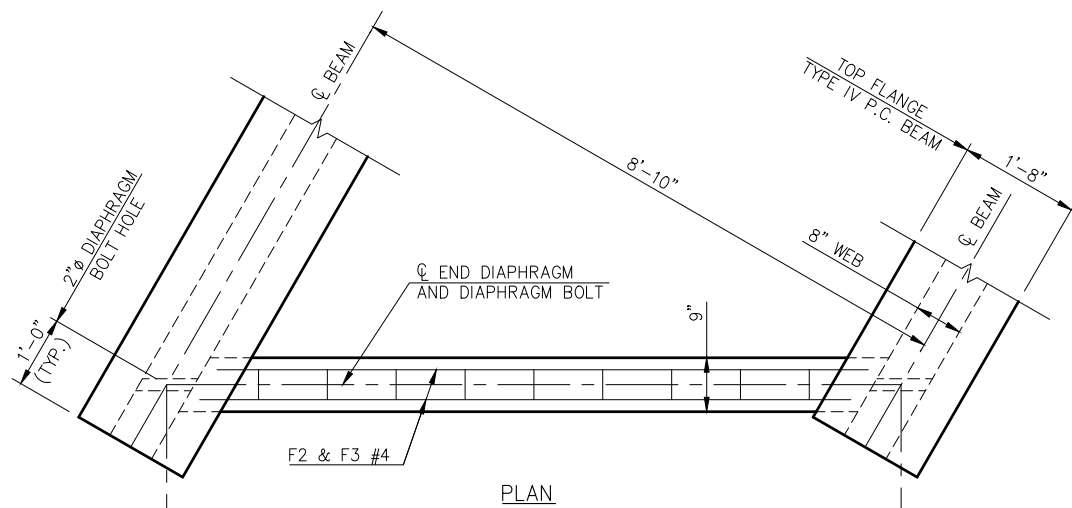


REVISIONS		
REV. NO.	DESCRIPTION	DATE

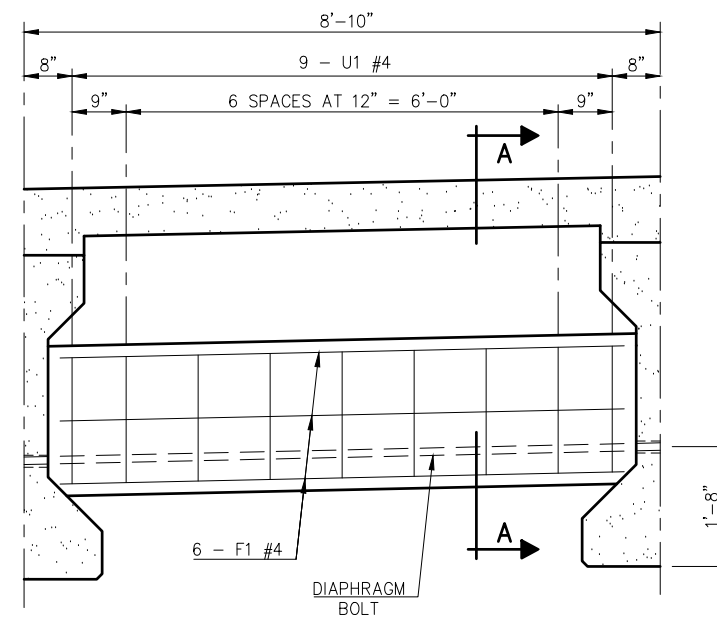


**DIAPHRAGM LAYOUT - PLAN**

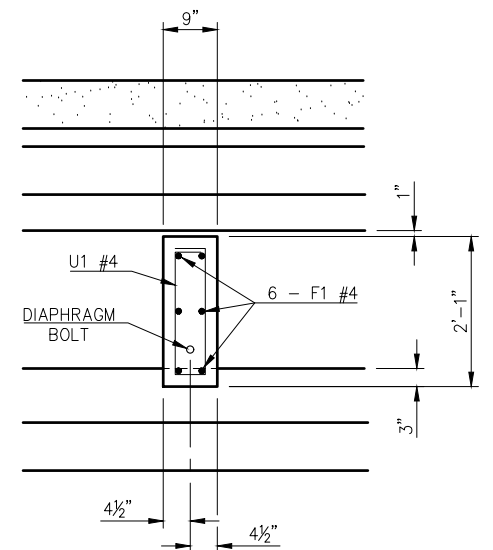


**PLAN**

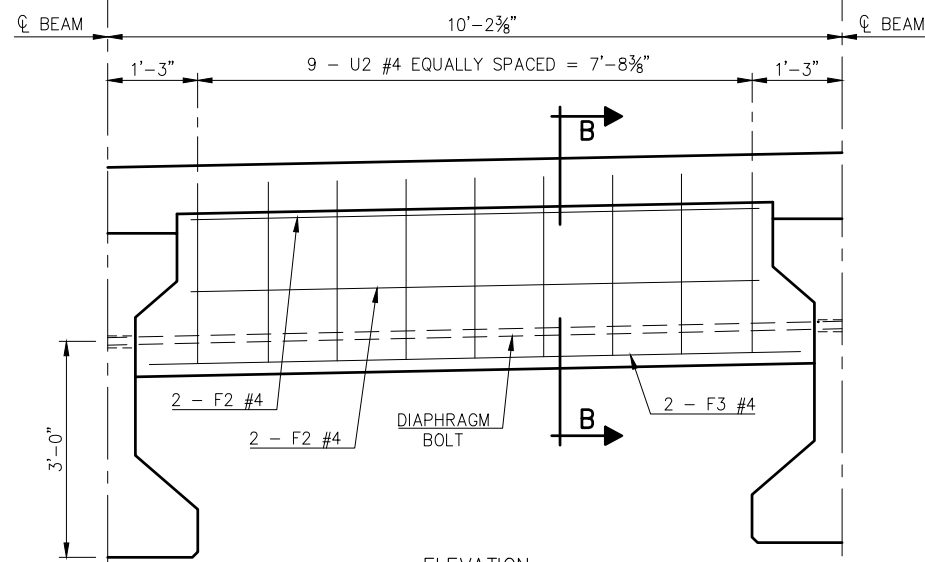
END DIAPHRAGM BAR LIST (ONE DIAPHRAGM SHOWN, SIX REQUIRED)				
MARK	SIZE	NO.	FORM	LENGTH
EPOXY COATED REINFORCING				
F2	#4	16	STR.	7'-11"
F3	#4	8	STR.	9'-0"
U2	#4	36	BNT.	6'-3"



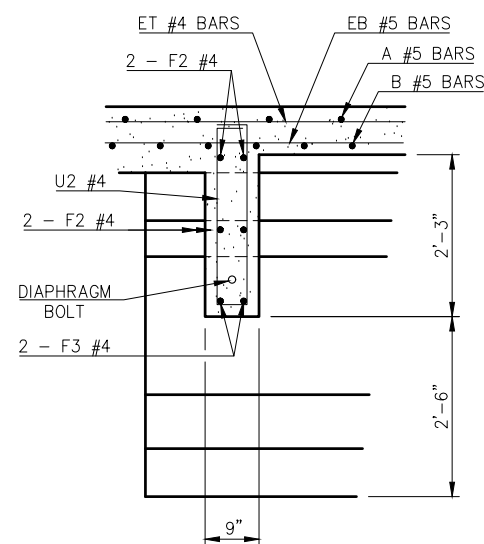
**INTERMEDIATE DIAPHRAGM DETAIL**  
(ONE INTERMEDIATE DIAPHRAGM PER SPAN)



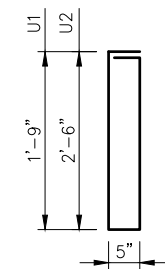
**SECTION A-A**



**END DIAPHRAGM DETAILS**



**SECTION B-B**



U1 #4 X 4'-9"  
U2 #4 X 6'-3"

INTERMEDIATE DIAPHRAGM BAR LIST (ONE DIAPHRAGM SHOWN, THREE REQUIRED)				
MARK	SIZE	NO.	FORM	LENGTH
EPOXY COATED REINFORCING				
F1	#4	24	STR.	7'-10"
U1	#4	36	BNT.	4'-9"

DESIGN	MBS	5/14	SH-28 OVER SALT CREEK	NOWATA COUNTY
DETAIL	SLP	5/14	BRIDGE "A"	
CHECK	MBS	3/15		
GUY ENGINEERING SERVICES, INC.			STATE JOB PIECE NO. 28857(04)	SHEET NO. B024

**DETAILS OF SUPERSTRUCTURE  
(SHEET NO. 7 OF 7)**